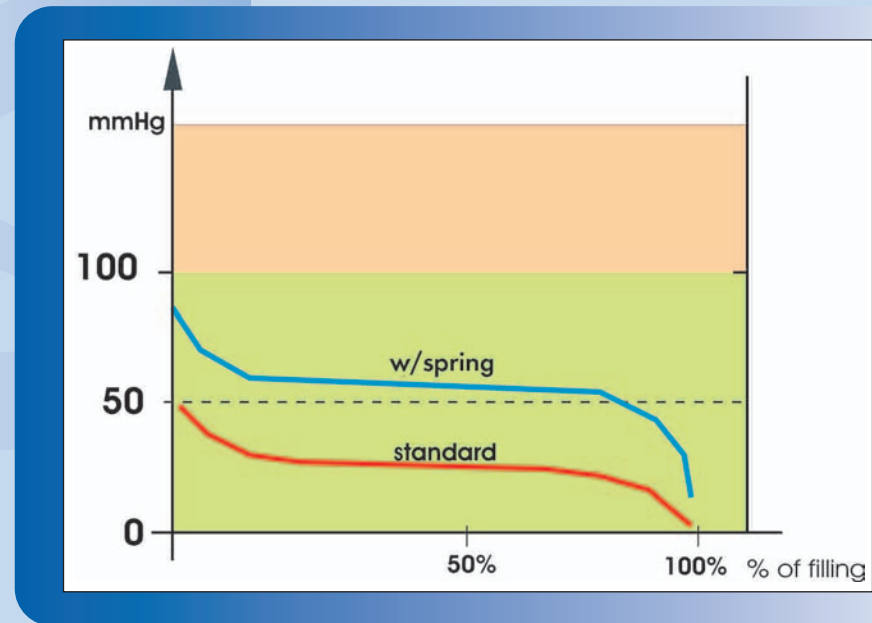


ATS BULB SET

5 - AVAILABLE IN TWO VERSIONS

- ATS Bulb Set is available in two different versions, allowing two separate levels of negative suction:
 - a. ATS Bulb Set with inner spring performs with an initial negative suction of -90 mmHg (12 KPa) and operates at an average of roughly -65 mmHg (8,6 KPa).
 - b. ATS Bulb Set standard without inner spring performs with an average negative suction of -50 mmHg (6,6 KPa) and operates at an average of roughly -30 mmHg (4,0 KPa).



AVAILABLE CONFIGURATIONS

ATS Bulb Set is supplied with a pre-attached "Y" connector, two PVC Redon drains. On request Redax can offer different drain configurations, also with trocar.



CODE	DESCRIPTION
10705	ATS Bulb Set Standard
10715	ATS Bulb Set with inner spring
PACKAGING: 15 PIECES PER BOX	
12023	Replacement blood bag with integrated 40 micron filter
PACKAGING: 20 PIECES FOR BOX	
12024	Replacement bag for closed circuit drainage 600 ml/capacity
PACKAGING: 25 PIECES FOR BOX	



dall'esperienza, le nuove tecnologie del drenaggio

Via Volta, 51 - 41037 Mirandola (MO) ITALY
 tel. +39 0535 611673 fax +39 0535 23224
 e-mail: info@redax.it - www.redax.it

ATS BULB SET

Blood recovery system with double stage integrated filtration



REDAX[®]

dall'esperienza, le nuove tecnologie del drenaggio

ATS BULB SET is a post-operative drain designed for any surgical procedure allowing, based on patient's clinical needs, blood transfusion.

System is specifically indicated for orthopaedic surgery autologous blood reinfusion.

Silicone bulb has a superior haemocompatibility, transparency and maximum flexibility. System is available in two versions with different levels of negative suction.

Innovative system owing to double stage integrated filtration: a first 200 micron filter built into the bulb and a second 40 micron one built into the blood bag.



ATS BULB SET

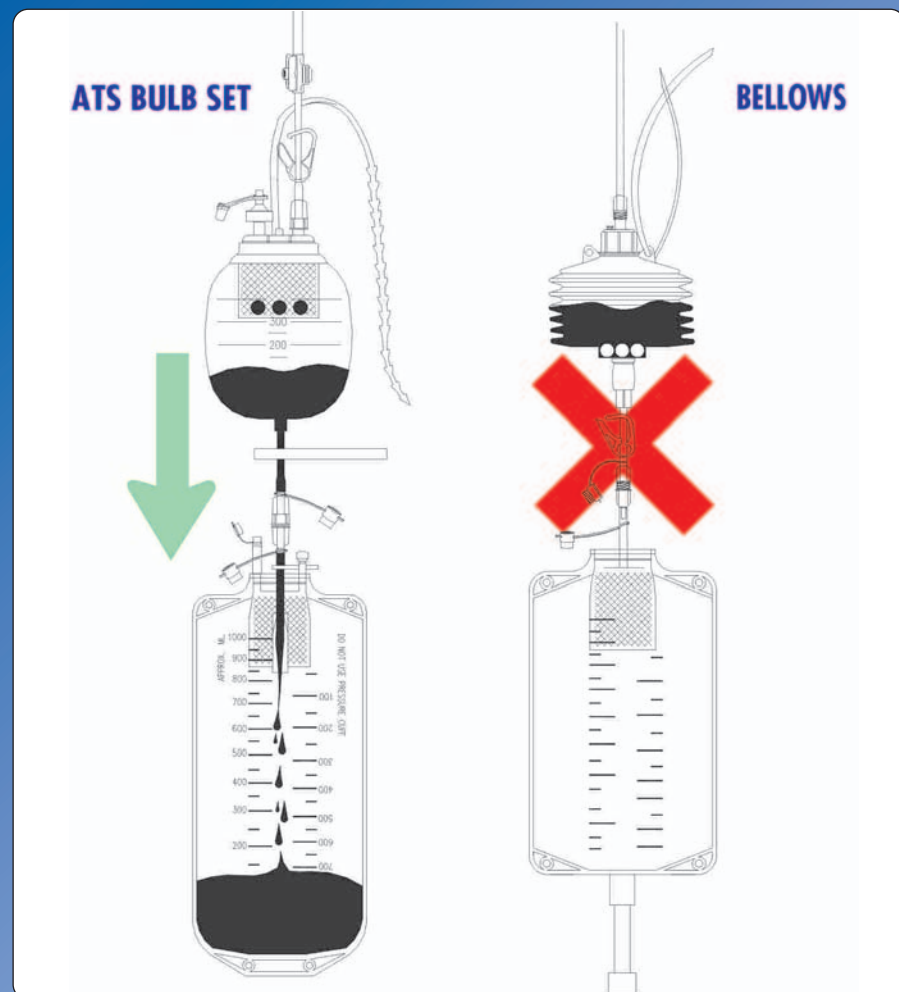
1 - TRANSPARENT BULB

- Transparency allows hospital staff a continuous monitoring of drain wound flow. With traditional systems (like Bellows) the different material and squeezed shape during set-up, do not permit such flow monitoring.
- Bulb transparency is a “must have” air for clinical staff, allowing a real time blood quality examination and decision to proceed with transfusion in full safety.



2 - DRAIN ENTRANCE FILTRATION

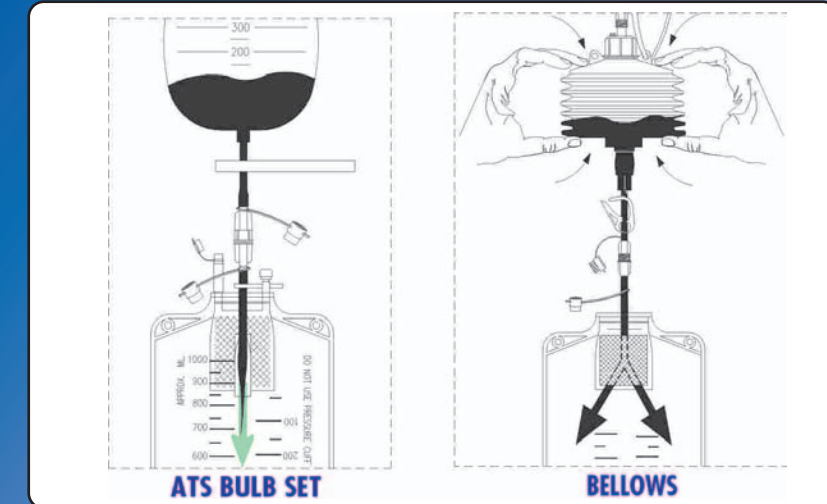
- Immediate blood macroaggregates separation, draining from wound, through the 200 micron filter positioned at the base of patient's tube reduces and/or blocks coagulation process, stabilizing factors.
- Avoiding macroaggregates sedimentations, direct communication bulb to bag is assured. This process further allows to switch automatically from suction to gravity operation, guaranteeing drainage continuity.



ATS BULB SET

3 - ATRAUMATIC BLOOD TRANSFER

- In traditional systems, presence of clots requires a strong pressure so as to allow blood passing from bellows to bag. This creates turbulence, vortexes favouring embolism episodes.
- With ATS Bulb Set, blood previously filtrated is automatically transferred to the bag.



4 - DOUBLE STAGE INTEGRATED FILTRATION

- Double stage filtration is obtained by means of a 200 micron filter positioned at drain entrance and a second 40 micron filter built inside the blood bag.
- The 40 micron filter built into the bag assures, without fail, removal of macroaggregates before patient's reinfusion. No additional filter is required.

